



FEATURES

- Universal input Voltage : 90 - 264VAC, 50/60Hz
- DoE Level VI efficiency
- Over voltage, Over current, Short circuit protection
- Fully enclosed plastic case
- 2 pole Europe plug
- Small wall-mounted type

ME012-UA series is a small wall-mounted type adapter. This series features universal input voltage, low power consumption, high efficiency, high reliability, and safer isolation, meets IEC/EN61000-4, CISPR22/EN55032 and EN60950.

Electric Specifications

Model		ME01205UA
Output	DC Voltage	5V
	Rated current	2.5A
	Current range	0-2.5A
	Rated power	12.5W
	Voltage Accuracy	±5%
	Line Regulation	±1%
	Load Regulation	±5%
	Ripple & Noise*	120mVp-p max
	Start-up time	3s@100-240VAC, full load
	Hold-up time	10ms@115VAC, full load, 20ms@230VAC, full load
	Rise time	80ms max
	Overshoot/Undershoot	±10%
	Transient response	Output voltage range ±5%,load 25%-50%,50%-75%,slope:0.5A/us,frequency:50Hz-10KHZ
Input	Input voltage	90 - 264VAC
	Input frequency	47 - 63HZ
	Efficiency(Typ.)	80.21%
	Input current	0.35A Max@100VAC, full load
	Inrush current	Cold start:30A/115VAC,60A/230VAC
	No load power	<0.1W
	Leakage current	0.25mA Max@240VAC
Protections	Over voltage	Rated output voltage 110%-150%
	Over current	Rated output current 110%-200%,self-recovery
	Short circuit	Hiccup, Continuous, self-recovery
Note	* Ripple and noise are measured by 20MHz bandwidth; at full load, 100-240VAC input, output terminated with a 0.1uF ceramic capacitor and a 10uF electrolytic capacitor.	

General Specifications

Item	Operating Conditions	Min.	Typ.	Max.	Unit
Isolation Voltage	Input-output, Test 1 minute, leakage current<5mA	3000	--	--	VAC
Insulation Resistance	Input-output, add 500Vdc test voltage	100	--	--	MΩ
Operating Temperature		-10	--	40	°C
Storage Temperature		-25	--	70	
Operating Humidity		--	--	90	%RH
Storage Humidity		--	--	95	
Altitude		--	--	2000	m
Lifetime	25°C	2			years
MTBF	MIL-HDBK-217F (25°C)	50000	--	--	hours

Physical Specifications

Casing Material	PC,120°C 94V-0
Color	Black/White(Other color can be designed by customization)
Dimension	(L)62.00mm*(W)39.00mm*(H)26.00mm
Weight	55g(Typ.)
Cooling Method	Free air convection

EMC Specifications

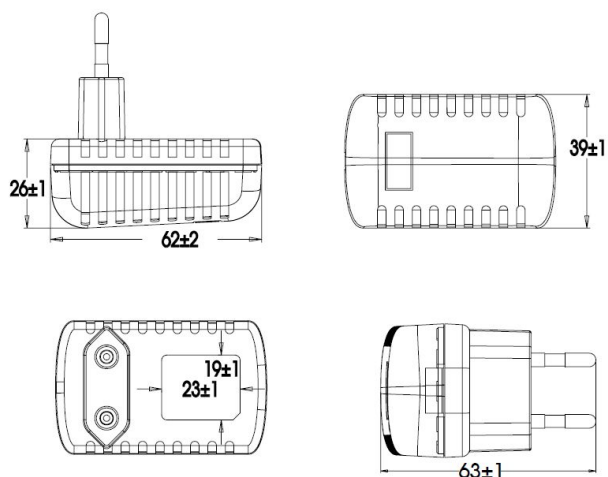
EMI	RE	EN55032, CLASS B	
	CE	EN55032, CLASS B	
EMS	ESD(MAX)	IEC/EN61000-4-2 Contact ±8KV/Air ±15KV	perf. Criteria B
	RS	IEC61000-4-3 3V/m	perf. Criteria A
	CS	IEC61000-4-6 3Vrms	perf. Criteria A
	Surge(MAX)	IEC/EN61000-4-5 ±2KV/ ±2KV	perf. Criteria B

Note: standard ESD contact ±4KV/Air ±8KV, Surge ±1KV/ ±1KV.

Safety Standards

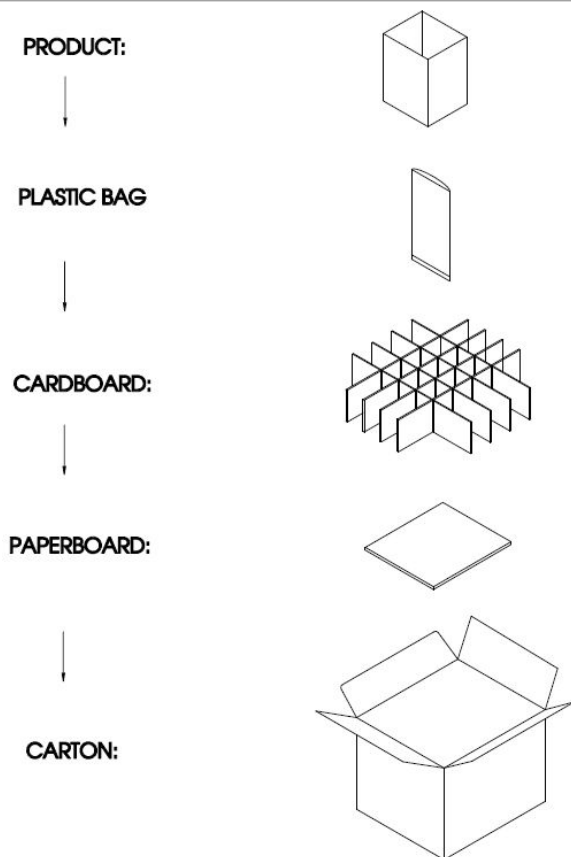
Application fields	Standard	Status	Note
IT	EN60950	Approved	
AV	EN60065	Meet	
Home appliances	EN61558-2-16	Meet	
Lighting	EN61347	Meet	

Mechanical Drawing



Note:
No display tolerance: ±0.12
Unit: mm

Package Drawing



Note:
1.Storage condition:
Temperature: -25℃~+70℃
Relative humidity: 30%~80%RH.
2. Storage period: 6 months.
3. Antistatic: no requirement.

Note:

1. Products are related to laws and regulations: see "Features" , "EMC" and "Safety standards".
2. Our products shall be classified according to ISO14001 and related environmental laws and regulations, and shall be handled by qualified units.
3. If the product is not operated within the required load range, the product performance cannot be guaranteed to comply with all parameters in the datasheet ;
4. Unless otherwise specified, parameters in this datasheet were measured under the conditions of Ta=25 ℃, humidity<75% with nominal input voltage and rated output load;
5. All index testing methods in this datasheet are based on our Company's corporate standards;
6. We can provide product customization service; Please contact our technicians directly for specific information;

Mornsun Guangzhou Science & Technology Co., Ltd.

Address: No. 5, Kehui St. 1, Kehui Development Center, Science Ave., Guangzhou Science City, Luogang District, Guangzhou, P. R. China
Tel: 86-20-38601850-8801 Fax: 86-20-38601272 E-mail: sales@mornsun.cn

MORNSUN®

MORNSUN GUANGZHOU SCIENCE & TECHNOLOGY CO.,LTD.