

**Features**

- CEC Compliance(Optional)
- RoHS Compliance
- Interchangeable AC Plug
- Over Voltage Protective Installation
- Short Circuit Protective Installation
- Protection Type: Auto-Recovery
- MTBF: >30,000 hours



**EA1030 x R - vv PP**

- x:** Output range
- R:** Interchangeable AC plug:
  - U: USA • E: EU • K: UK • A: SAA
- vv:** Specified output voltage, ie 24 is 24Vdc
- PP:** Connector type, ie 01 for EDACPOWER standard dc cable or please refer to the appendix page

**Electrical Specifications**

MODEL No.	MAX. OUTPUT POWER (W)	OUTPUT VOLTAGE (Vo)	MIN. LOAD (Io)	MAX. LOAD (Io)	LOAD REGULATION	LINE REGULATION	RIPPLE & NOISE
EA1020AR	20W	5~8V	0	4A	± 5%	± 1%	160mV
EA1020R	20W	9~12V	0	2A	± 5%	± 1%	250mV
EA1020CR	20W	13~20V	0	1.54A	± 5%	± 1%	300mV
EA1020DR	20W	21~35V	0	0.95A	± 5%	± 1%	520mV
EA1030AR	25W	5~8V	0	3.5A	± 5%	± 1%	160mV
EA1030R	30W	9~12V	0	3A	± 5%	± 1%	250mV
EA1030CR	30W	13~20V	0	2.3A	± 5%	± 1%	300mV
EA1030DR	30W	21~35V	0	1.42A	± 5%	± 1%	520mV
EA1036R	36W	12V	0	3A	± 5%	± 1%	250mV
EA1036DR	36W	21~35V	0	1.5A	± 5%	± 1%	520mV

**NOTE:**

- 1 : Ripple & noise is measured by using 20MHz bandwidth limited oscilloscope and terminated each output with a 0.1uF ceramic capacitor & parallel with 47uF aluminum capacitor at full load and nominal line.
- 2 : Line regulation is defined by changing ±10% of input voltage from nominal line at rated load.
- 3 : Max. Output Power (W) ≥Vo x Io

**Electrical Specifications**

**INPUT**

- Input Range: 100 to 240 VAC
- Frequency: 50 to 60Hz
- Input Current: ≤1.0A
- Inrush Current: ≤60A At cold start
- Efficiency: EA1020 Series: 77% Min.  
EA1030 Series: 80% Min.  
EA1036 Series: 82% Min.
- Hold Up Time: ≥8.3mS
- Turn On Time: ≤3S

**OUTPUT**

- Over Voltage Protection: Auto Recovery
- Short Circuit Protection: Auto Recovery

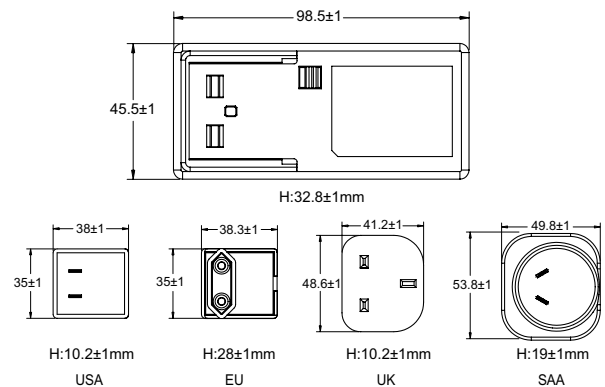
**ENVIRONMENTAL**

- Operating Temperature: 0 to 40°C
- Storage Temperature: -20 to 85°C
- Storage Humidity: 5% to 95%

**SAFETY**

- UL/cUL, TUV, CB, CE, FCC, CCC

**Mechanical Specification**



- Case Size: 98.5L x 45.5W x 32.8H (mm)
- AC Plug: U: USA, E: EU, K: UK, A: SAA
- Weight: 220g