

# EA1068 Series

## AC/DC Single Output Desk Top Type

• 25~72Watts Max.



### Features

- DoE Compliance
- RoHS Compliance
- Over Voltage Protective Installation
- Over Current Protective Installation
- Over Temperature Protective Installation
- Short Circuit Protective Installation
- LED Indication
- MTBF > 100,000 hours

### EA1068 x Y - vv PP

**x:** Case type: 1. C14 2. C8 3. C6 6. C18

**Y:** Output range

**vv:** Specified output voltage, ie 24 is 24Vdc

**PP:** Connector type, ie 01 for EDACPOWER standard dc cable or please refer to the appendix page

### Electrical Specifications

MODEL No.	MAX. OUTPUT POWER (W)	OUTPUT VOLTAGE (Vo)	MIN. LOAD (Io)	MAX. LOAD (Io)	LOAD REGULATION	LINE REGULATION	RIPPLE & NOISE
EA1068xA	25W	5V~9V	0A	5.0A	± 5%	± 3%	180mV
EA1068xB	40W	12V~16V	0A	3.33A	± 5%	± 3%	240mV
EA1068xC	40W	18V~24V	0A	2.10A	± 5%	± 3%	360mV
EA1068xD	40W	32V~42V	0A	1.25A	± 5%	± 3%	630mV
EA1068xE	40W	44V~56V	0A	0.90A	± 5%	± 3%	840mV
EA1068xF	30W	5V~9V	0A	6.0A	± 5%	± 3%	180mV
EA1068xG	50W	12V~16V	0A	4.16A	± 5%	± 3%	240mV
EA1068xH	50W	18V~24V	0A	2.63A	± 5%	± 3%	360mV
EA1068xJ	50W	32V~42V	0A	1.56A	± 5%	± 3%	630mV
EA1068xK	50W	44V~56V	0A	1.13A	± 5%	± 3%	840mV
EA1068xW	40W	5V~9V	0A	8.0A	± 5%	± 3%	180mV
EA1068xM	35W	5V~9V	0A	7.0A	± 5%	± 3%	180mV
EA1068xN	60W	12V~16V	0A	5.0A	± 5%	± 3%	240mV
EA1068xP	60W	18V~24V	0A	3.15A	± 5%	± 3%	360mV
EA1068xQ	60W	32V~42V	0A	1.87A	± 5%	± 3%	630mV
EA1068xR	60W	44V~56V	0A	1.36A	± 5%	± 3%	840mV
EA1068xY	65W	12V~16V	0A	5.42A	± 5%	± 3%	240mV
EA1068xS	45W	5V~9V	0A	9.0A	± 5%	± 3%	180mV
EA1068xU	72W	12V~16V	0A	6.0A	± 5%	± 3%	240mV
EA1068xV	72W	18V~24V	0A	3.78A	± 5%	± 3%	360mV
EA1068xL	72W	32V~42V	0A	2.25A	± 5%	± 3%	630mV
EA1068xT	72W	44V~56V	0A	1.63A	± 5%	± 3%	840mV

#### NOTE:

- 1 : Ripple & Noise is measured by using 20MHz bandwidth limited oscilloscope and terminated each output with a 0.1uF ceramic capacitor & parallel with 47uF aluminum capacitor at full load and nominal line.
- 2 : Line regulation is defined by changing ±10% of input voltage from nominal line at rated load.
- 3 : Max. Power (W) ≥Vo x Io

### Electrical Specifications

#### INPUT

- Input Range 100 to 240 VAC
- Frequency 50 to 60Hz
- Input Current ≤2.0A
- Inrush Current ≤120A At cold start
- Efficiency Meet CEC Level VI (DoE), CoC Tier 2
- Hold Up Time ≥8.3mS
- Turn On Time ≤3S

#### OUTPUT

- Over Voltage Protection Latch off / Auto Recovery
- Short Circuit Protection Auto Recovery
- Over Current Protection Auto Recovery
- Over Temperature Protection Optional

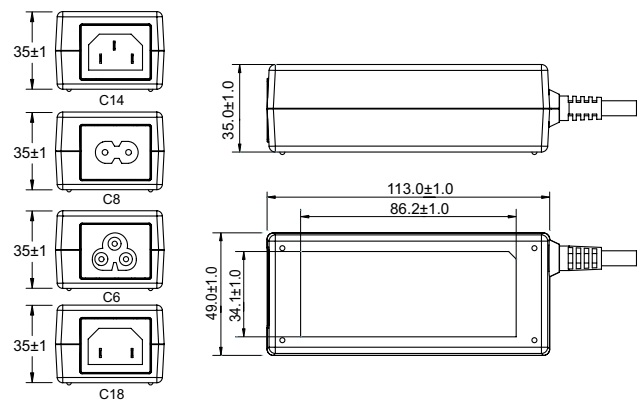
#### ENVIRONMENTAL

- Operating Temperature 0 to 40°C
- Storage Temperature -20 to 85°C
- Storage Humidity 5% to 90 %

#### SAFETY

- UL/cUL, TUV, CB, CE, FCC, CCC

### Mechanical Specification



- Case Size: 113L x 49W x 35H (mm)
- AC Inlet: C14, C8, C6, C18
- Weight: 300g