

KEY FEATURES

- Ultra Compact Size: 1.46" x 1.08"
- Universal Input Range 90-305VAC, 47-440Hz
- I/O Isolation 4000VAC
- Operating Ambient Temperature Range -40°C to +70°C
- No Load Power Consumption < 0.1W
- High Efficiency up to 86%
- EMC Compliant without External Components
- Safety Approval to UL / IEC / EN 62368-1, TUV IEC / EN 60335-1
- 3-Year Product Warranty

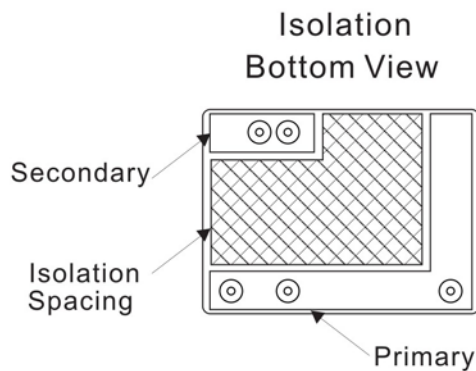
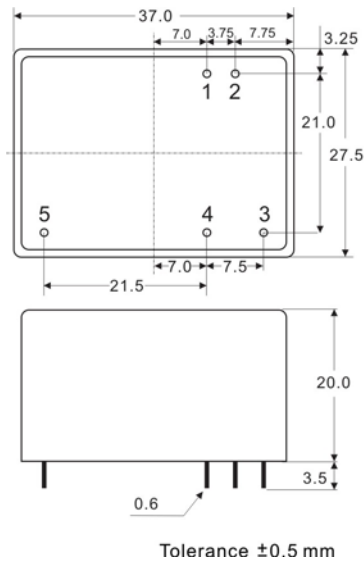

ELECTRICAL SPECIFICATIONS

All specifications valid at normal input voltage, full load and +25°C after warm-up time unless otherwise stated.

Model No. (Single Output)	AOCH10-5S	AOCH10-12S	AOCH10-15S	AOCH10-24S
Max Output Wattage (W)	10W			
Input	Voltage			
	90-305 VAC or 120-430 VDC (N Connect +Vin ; L Connect -Vin)			
	Frequency (Hz)			
	47-440 Hz			
	Current (Full load)			
	230 mA max. (115 VAC) / 140 mA max. (230 VAC)			
Output	Inrush Current			
	30 A max. (115 VAC) / 60 A max. (230 VAC)			
	Leakage Current			
	0.25 mA max.			
	External Fuse (mandatory)			
	2 A slow blow type			
	Voltage (V.DC.)			
	5V 12V 15V 24V			
Voltage Accuracy				
±2%				
Current (mA) max				
2000 833 667 417				
Line Regulation (LL-HL) (typ.)				
±0.2%				
Load Regulation (0-100%) (typ.)				
±1% ±0.5%				
Maximum Capacitive Load				
3,500uF 700uF 390uF 180uF				
Ripple & Noise (Vp-p) max				
<150mV <160mV 1% Vout				
Efficiency (at 230VAC)				
81% 85% 86% 86%				
Hold-up Time (at 230VAC)				
30 ms min.				
Protection	Over Power Protection			
	Hiccup technique, auto-recovery			
	Over Voltage Protection			
Zener diode clamp				
Short Circuit Protection				
Hiccup mode, indefinite (automatic recovery)				
Isolation	Input-Output (V.AC)			
4000V				
Environment	Operating Temperature			
	-40°C...+70°C (with derating)			
	Storage Temperature			
	-40°C...+85°C			
	Temperature Coefficient			
±0.02%/°C				
Humidity				
95% RH				
MTBF				
>450,000 h @ 25°C (MIL-HDBK-217F)				
Physical	Dimension (L x W x H)			
	1.46 x 1.08 x 0.79 Inches (37.0 x 27.5 x 20.0 mm) Tolerance ±0.5 mm			
	Case Material			
	Plastic resin (flammability to UL 94V-0)			
Weight				
35 g				
Cooling Method				
Free air convection				
Safety	Agency Approvals			
UL / IEC / EN 62368-1, TUV IEC / EN 60335-1 (In Progress)				
EMC	EMI (Conducted & Radiated Emission)			
	EN 55032 class B (In Progress)			
EMS (Noise Immunity)				
EN 55035 (In Progress)				

NOTE

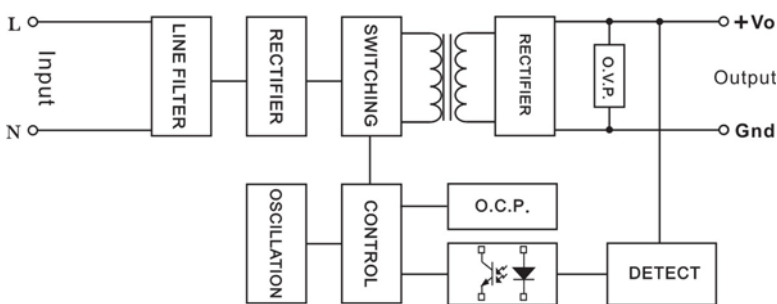
1. Ripple & Noise are measured at 20MHz of bandwidth with 0.1uF & 47uF parallel capacitor.
2. Please refer to our PDF file "AC-DC Application" on our website: www.archcorp.com.tw
3. A fuse 300V/2A is directly connected to the input and this fuse is 3.2mm min. away from each polarity.

MECHANICAL DIMENSION (Top View)


PIN#	Single
1	+Vo
2	GND
3	AC IN (L)
4	AC IN (N)
5	NC CONNECT

BLOCK DIAGRAM

Single Output


DERATING
