



- Up to 100A Output Current
- Fast Transient Response
- Current Share
- Full power at 85°C baseplate
- Wide Adjustable Output Range

Key Market Segments & Applications

- Servers & Rail System
- High End Computers
- Customer Power Supplies:

PAF400F

200V to 400VDC Input
Full Brick DC-DC Converters

PAF400F Features and Benefits

Features

- Wide adjustment range
- Parallel Pin
- ASIC Design

Benefits

- Reduces need for custom modules
- Modules can be connected together for higher current
- Reduced component count, increased MTBF

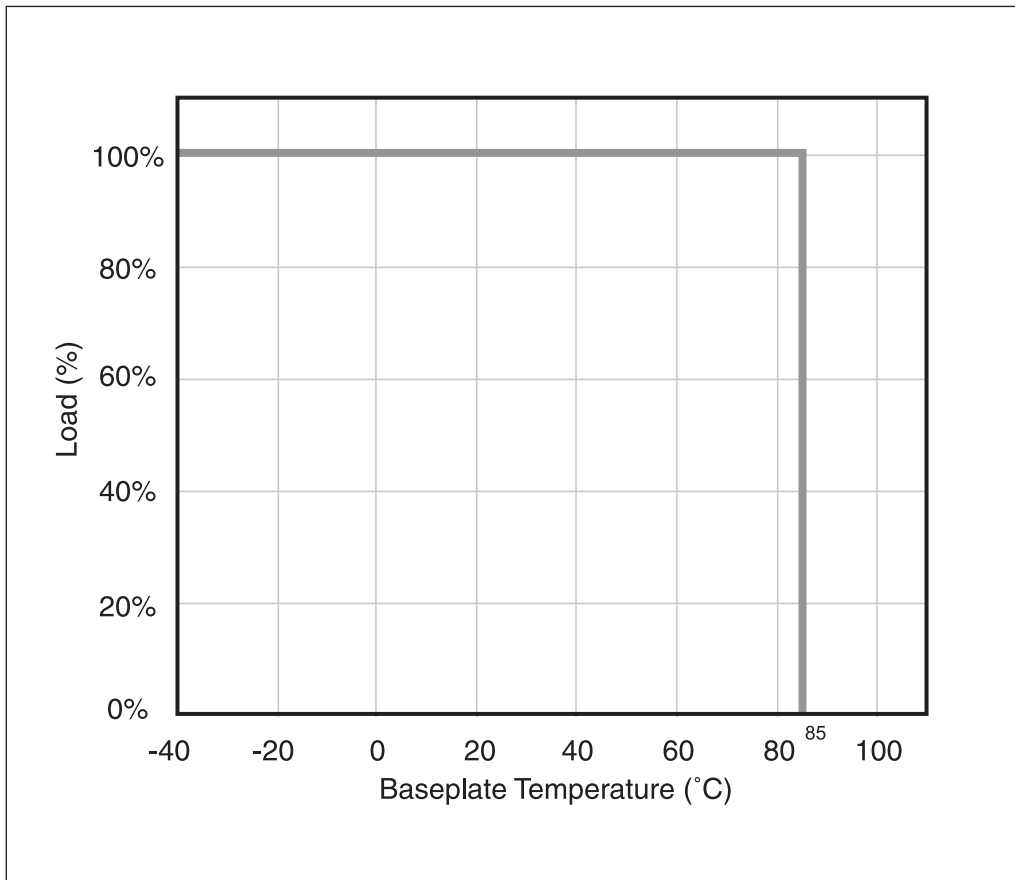
Specifications

MODEL		PAF400F280-1.8	PAF400F280-3.3	PAF400F280-5
ITEMS				
Nominal Output Voltage	VDC	1.8	3.3	5.0
Output Current (Max)	A	100	100	80
Max Output Power	W	240	390	450
Efficiency (Typ)	%	76	83	85
Input Voltage range	VDC	200-400VDC		
Output Voltage Accuracy	%	±2		
Output Voltage Adjustment	VDC	1.0 - 2.6	2.2 - 4.2	2.9 - 6.0
Max Ripple & Noise	mV	200 (0 - 85°C)		
Max Line Regulation	mV	6	10	15
Max Load Regulation	mV	6	10	15
Temperature Coefficient	°C	0.01%/°C		
Overcurrent Protection	A	115 - 130%		
Overvoltage Protection	VDC	1.0 - 2.8	2.5 - 4.5	3.3 - 6.3
Signals & Control	-	Remote sense, remote On/Off, Parallel Pin, Inverter Good, 11-14V Auxiliary voltage		
Baseplate Temperature	°C	-20°C to +85 Baseplate: 100% load		
Humidity (non condensing)	-	20 - 95% RH Operating, 10 - 95% RH Non Operating		
Cooling	-	Conduction (See Installation Manual for heatsink selection)		
Isolation Voltage	-	Input to Baseplate: 2500VAC (20mA); Input to Output 3000VAC (20mA) for 1 min.; Output to Baseplate: 500VDC for 1 min		
Shock	-	196.1m/s ²		
Vibration	-	Non Operating, 10-55Hz (sweep for 1 min.) Amplitude 0.825mm constant (Max 49 m/s ²) X,Y,Z 1 hour each		
Safety Agency Approvals	-	UL1950, CSA950, EN60950, CE LVD		
Weight (Typ)	g	250		
Size (WxHxD)	mm	61x12.7x116.8 (See outline drawing)		
Warranty	-	2 Years		

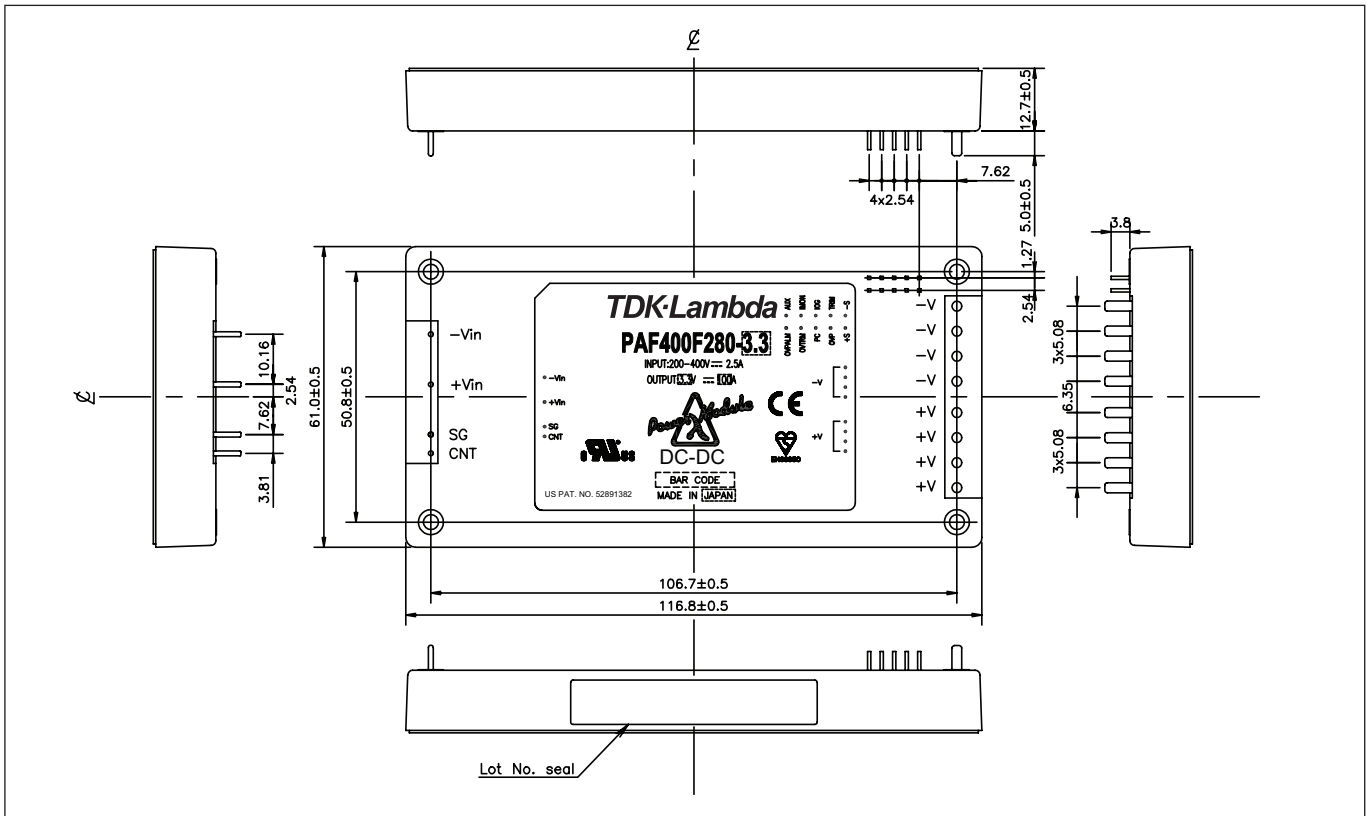
Note: See Installation Manual for full details, test methods of parameters and application notes.

Pinout	
Pin Description	Function
-Vin	Negative Input Terminal
+Vin	Positive Input Terminal
CNT	Remote On/Off terminal
+V	Positive Output Terminal
-V	Negative Output Terminal
AUX	11-14V Aux Voltage
PC	Parallel Control Connection
TRIM	Output Adjustment Trim Pin
+S	Positive Remote Sense
-S	Negative Remote Sense
SG	Remote ON/OFF Return
IMON	Current Monitor
OVTRM	Overshoot Trim
OVPALM	Overshoot Alarm Signal
OVP	Overshoot Sense Point

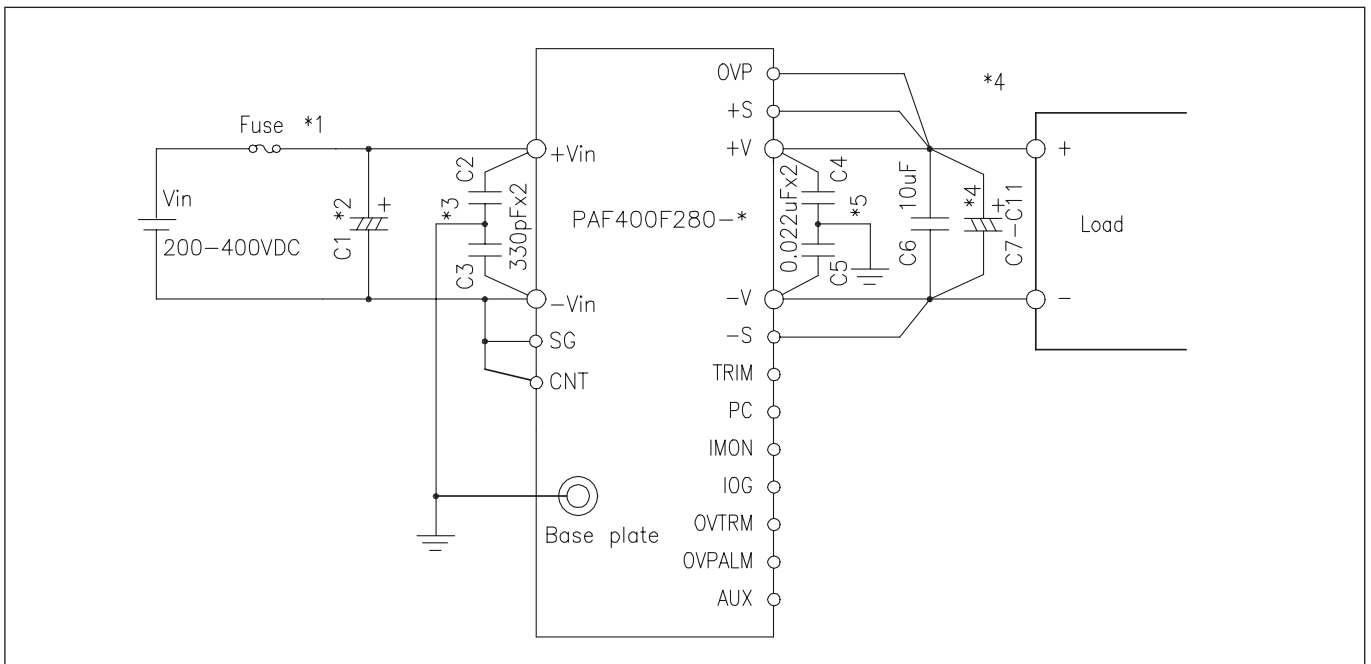
Derating Curve PAF400F Series



Outline Drawing PAF400F Series



Connection Example PAF400F Series



TDK-LAMBDA EMEA

www.emea.tdk-lambda.com



TDK-Lambda France SAS

Route de Grivery
ZAC des Delaches
CS 41077
91978 Courtaboeuf Cedex
France
Tel: +33 1 60 12 71 65
Fax: +33 1 60 12 71 66
france@fr.tdk-lambda.com
www.fr.tdk-lambda.com



Italy Sales Office
Via dei Lavoratori 128/130
20092 Cinisello Balsamo (MI)
Italy
Tel: +39 02 61 29 38 63
Fax: +39 02 61 29 09 00
info.italia@it.tdk-lambda.com
www.it.tdk-lambda.com



TDK-Lambda Germany GmbH

Karl-Bold-Strasse 40
77855 Achern
Germany
Tel: +49 7841 666 0
Fax: +49 7841 5000
info.germany@de.tdk-lambda.com
www.de.tdk-lambda.com



Austria Sales Office
Aredstrasse 22
2544 Leobersdorf
Austria
Tel: +43 2256 655 84
Fax: +43 2256 645 12
info.germany@de.tdk-lambda.com
www.de.tdk-lambda.com



TDK-Lambda UK Ltd.

Kingsley Avenue
Ilfracombe
Devon EX34 8ES
United Kingdom
Tel: +44 (0) 12 71 85 66 66
Fax: +44 (0) 12 71 86 48 94
powersolutions@uk.tdk-lambda.com
www.uk.tdk-lambda.com



Nemic Lambda Ltd.

Kibbutz
Givat Hashlosha 48800
Israel
Tel: +9 723 902 4333
Fax: +9 723 902 4777
info@nemic.co.il
www.nemic.co.il



Russia

Technical Support:
St Petersburg
Tel: +7 (812) 6580463
Sales:
Moscow
Tel: +7 (499) 7557732
info@tdk-lambda.ru
www.tdk-lambda.ru

LOCAL DISTRIBUTION

