

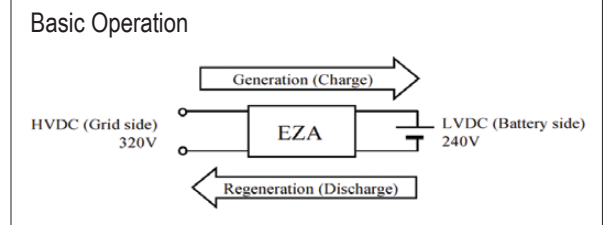


11,000W Bi-Directional DC-DC Converter



Renewable

Features	Benefits
• 1U rackmount	• Utilises Less System Space
• Battery Side 240VDC	• Suitable for 150-300V Batteries
• Grid Side 320VDC	• Operates on HVDC Systems
• High Efficiency (95%)	• Minimises Heat in System



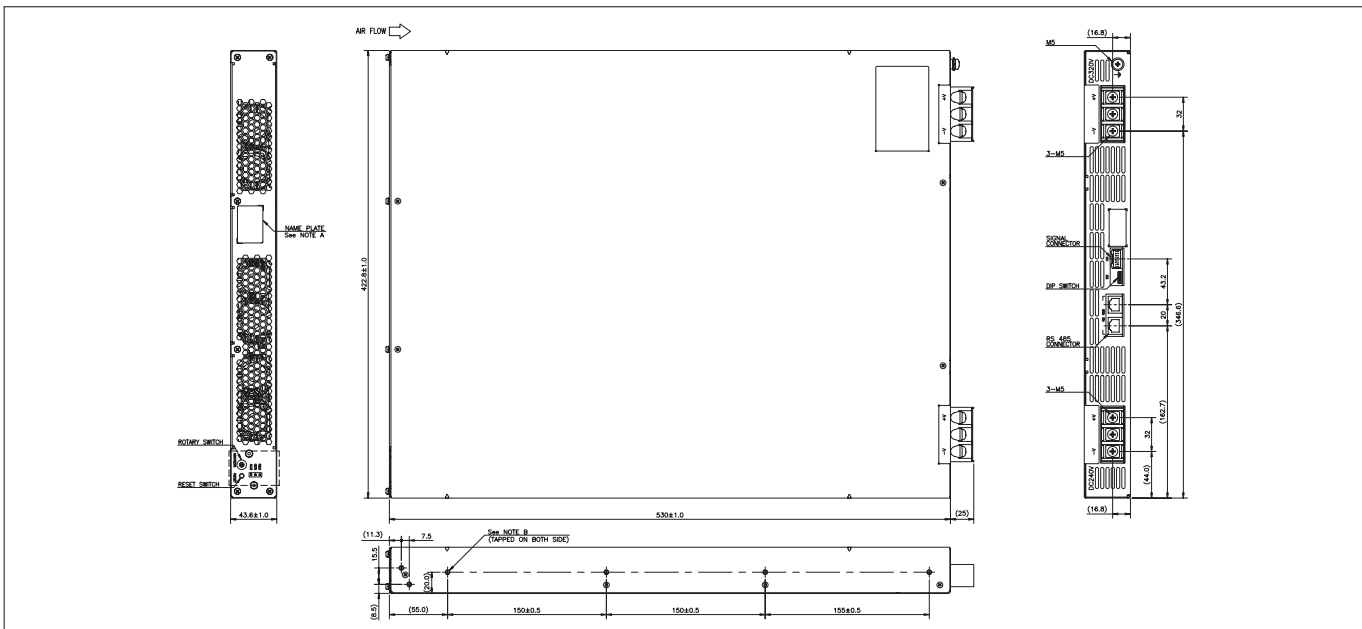
Specification			
Model	EZA11K-320240		
		Low Voltage DC (Battery Side)	High Voltage DC (Grid Side)
Voltage Range ⁽¹⁾⁽²⁾	VDC	150 - 300VDC (240V Nominal)	240 - 400VDC (320V Nominal)
Output Current (Maximum)	A	±45.8A	±34.4A
Constant Current Programming Range ⁽¹⁾⁽²⁾	A	1 - 50A	1 - 40A
Maximum Output Power	W	±11,000W	±11,000W
Efficiency	%	95%	95%
Pre-charge Voltage (required)	VDC	>150V	>240V
Inrush Current (Typical)	A	3.6A	3.6A
Line Regulation (Maximum)	V	1.2V	1.6V
Load Regulation (Maximum)	V	2.4V	3.2V
Temperature Regulation (Maximum)	V	1.5V	2.0V
Output Ripple & Noise (Maximum pk-pk)	V	3V	4V
Sink Current (When applied V > output set V)	A	1.6A	1.2A
Overcurrent Protection (Manual reset)	A	70A	60A
Overpower Protection	W	12,000W (Constant power)	12,000W (Constant power)
Input Current Limit (typical)	A	52A	42A
Under & Overvoltage Protection ⁽²⁾	V	144 - 306V	230 - 410V
Overtemperature Protection	-	Yes, Alarm signal is given	
Remote On/Off & Reset ⁽²⁾	-	Yes	
Parallel Operation	-	Yes (Droop mode, can be set via RS-485)	
Front panel Indicators and Settings	-	Operating mode (Generating, Regenerating & Alarm), Alarm clear & RS-485 address selection	
Operating Temperature	°C	-10°C to +50°C, full load. Refer to application notes for input/output derating	
Storage Temperature	°C	-20°C to +70°C	
Humidity (Non condensing)	%RH	Operating: 30 - 85%RH, Storage: 20 - 85%RH	
Cooling	-	Internal fans	
Vibration (Non operating)	-	10-55Hz (1 min sweep), 19.6m/s ² constant for 1 hour in each direction: X, Y & Z axis	
Shock	-	196.1m/s ² maximum	
Withstand Voltage ⁽³⁾	-	Input (HVDC) to Output (LVDC) 2.2kVAC, Input/Output to Ground 2kVAC, Signals to Ground 400VAC	
Isolation Resistance	MΩ	>100MΩ at 25°C & 70%RH, Input/Output to Ground 1kVDC, Signals to Ground 500VAC	
Safety Certification	-	IEC/EN/UL/CSA60950-1, IEC/EN/UL/CSA62368-1, CE Mark (LVD, EMC RoHS)	
Size (W x H x D)	mm	422.8 x 43.6 x 530	
Weight	kg	20	
Warranty	yrs	5	

Notes: (1) See installation manual for detailed specifications & test methods (2) Can be set via RS-485 or signal connector (3) See specification on website for signal isolation voltages

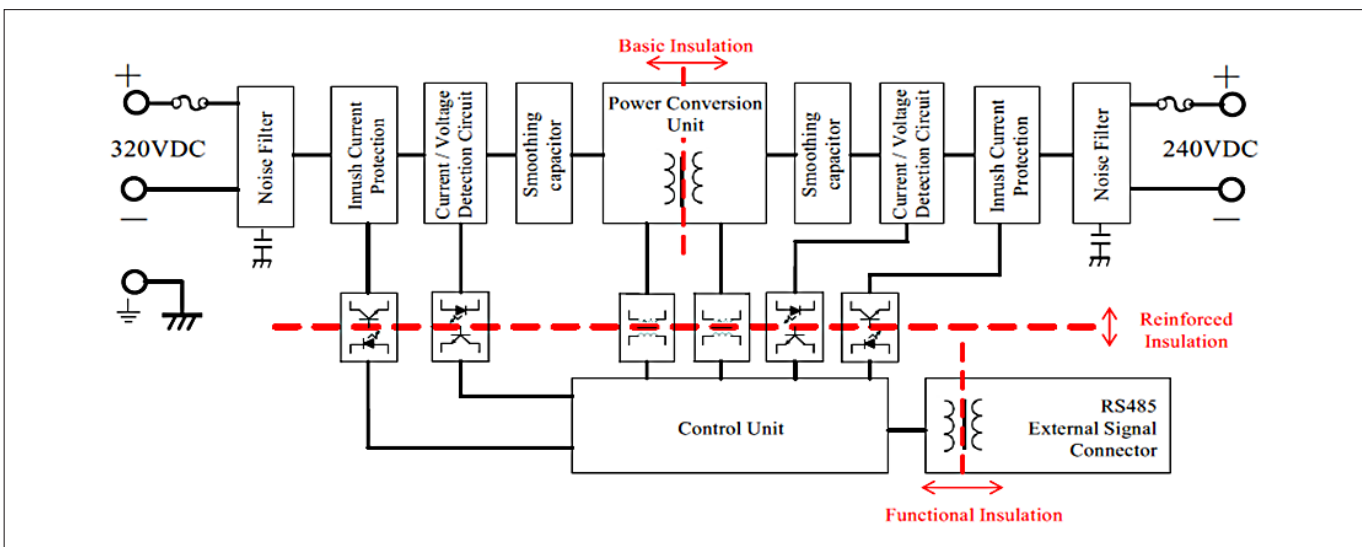
RS-485 Functions

Items		
Voltage Setting Accuracy	-	< ±6V
Current Setting Accuracy	-	< ±1A
Voltage Setting Resolution	-	< 600mV
Current Setting Resolution	-	< 100mA
Voltage Reading Accuracy	-	< ±6V
Current Reading Accuracy	-	< ±1A
Voltage Reading Resolution	-	< 600mV
Current Reading Resolution	-	< 100mA
RS-485 Baud Rate	-	19.2kbps / 33.6kbps / 57.6kbps (Set by DIP Switch)
RS-485 Maximum Connection	-	14

Outline Drawing EZA11K



Block Diagram EZA11K





TDK-Lambda France SAS

3 Avenue du Canada
Parc Technopolis
Bâtiment Sigma
91940 les Ulis
France
Tel: +33 1 60 12 71 65
Fax: +33 1 60 12 71 66
france@fr.tdk-lambda.com
www.fr.tdk-lambda.com



Italy Sales Office

Via Giacomo Matteotti 62
20092 Cinisello Balsamo (MI)
Italy
Tel: +39 02 61 29 38 63
Fax: +39 02 61 29 09 00
info.italia@it.tdk-lambda.com
www.it.tdk-lambda.com



Netherlands

info@nl.tdk-lambda.com
www.nl.tdk-lambda.com



TDK-Lambda Germany GmbH

Karl-Bold-Strasse 40
77855 Achern
Germany
Tel: +49 7841 666 0
Fax: +49 7841 5000
info.germany@de.tdk-lambda.com
www.de.tdk-lambda.com



Austria Sales Office

Aredstrasse 22
2544 Leobersdorf
Austria
Tel: +43 2256 655 84
Fax: +43 2256 645 12
info@at.tdk-lambda.com
www.de.tdk-lambda.com



Switzerland Sales Office

Eichtalstrasse 55
8634 Hombrechtikon
Switzerland
Tel: +41 44 850 53 53
Fax: +41 44 850 53 50
info@ch.tdk-lambda.com
www.de.tdk-lambda.com



Nordic Sales Office

Haderslevvej 36B
DK-6000 Kolding
Denmark
Tel: +45 8853 8086
info@dk.tdk-lambda.com



TDK-Lambda UK Ltd.

Kingsley Avenue
Ilfracombe
Devon EX34 8ES
United Kingdom
Tel: +44 (0) 12 71 85 66 66
Fax: +44 (0) 12 71 86 48 94
powersolutions@uk.tdk-lambda.com
www.uk.tdk-lambda.com



TDK-Lambda Ltd.

1 Alexander Yanai
Segula
Petah-Tikva
Israel
Tel: +9 723 902 4333
Fax: +9 723 902 4777
info@tdk-lambda.co.il
www.tdk-lambda.co.il



C.I.S.

Commercial Support:

Tel: +7 (495) 665 2627

Technical Support:

Tel: +7 (812) 658 0463

info@tdk-lambda.ru

www.tdk-lambda.ru

Local Distribution

