



SIPSMT15-05 SERIES

15 AMP

POL CONVERTERS



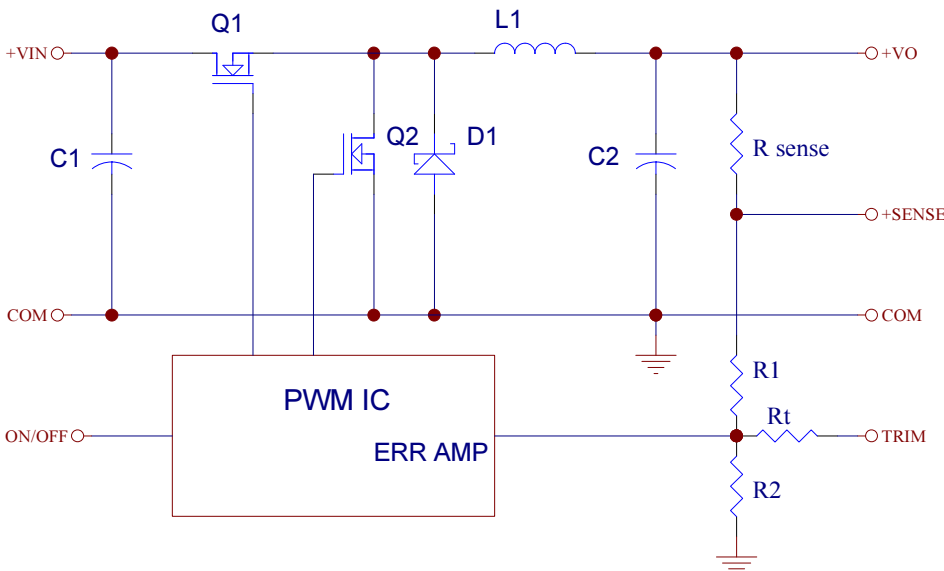
FEATURES

- * Non-isolated POL Converter
- * SIP / SMT Converter
- * Output Current 15AMP
- * Input Voltage Range 3-5.5VDC
- * Output Voltage Range 0.9-3.63VDC
- * 300KHz Switching Frequency
- * High Efficiency to 94%
- * Over Temperature Protection
- * Continuous Short Circuit Protection
- * Remote On/Off Control
- * UL/C-UL60950 Certified



MODEL NUMBER	INPUT VOLTAGE	OUTPUT VOLTAGE	OUTPUT CURRENT	INPUT CURRENT		Efficiency (%)
				NO LOAD	FULL LOAD	
SIP15-05S33A SMT15-05S33A	3.0 – 5.5 VDC	0.75 VDC	15 A	60 mA	3.658 A	82
		1.2 VDC	15 A	60 mA	4.286 A	84
		1.5 VDC	15 A	60 mA	5.172 A	87
		1.8 VDC	15 A	70 mA	6.136 A	88
		2.0 VDC	15 A	70 mA	6.742 A	89
		2.5 VDC	15 A	70 mA	8.152 A	92
	4.5 – 5.5 VDC	3.3 VDC	15 A	70 mA	10.532 A	94

NOTE: Nominal Input Voltage 5VDC



Vo,set (V)	Rtrim (KΩ)
0.90	135.36
1.00	79.17
1.20	41.71
1.50	22.98
1.80	14.96
2.00	11.75
2.50	6.93
3.30	3.15
3.63	2.20

Table 1. External Resistor Values for programming output voltage

Figure 1. Simplified Schematic

