



Industrial



Test

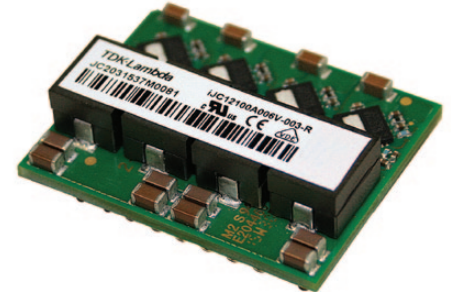


Comm



Broadcast

100A Non-isolated SMT Point of Load with PMBus™



Features	Benefits
• Only 1.5 in ² Board Space	• Less Board Area
• PMBus Compliant (Read & Write)	• Configurable Sequence & Fault Management
• Surface Mountable	• No Hand Operation
• Digital Adaptive Control	• Stability with Various Output Impedance
• Parallel Operation with Current Sharing	• Address High Current Applications

Specification			
Model		iJC	
DC Output Voltage	V	0.6 - 1.5V	
DC Output Power (max)	W	150W	
DC Input Voltage	V	8 - 14V	
Efficiency	%	86.5 - 91.5%	
Output Voltage Tolerance	%	±1.5%	
Line Regulation	mV	8 (Typical)	
Load Regulation	mV	8 (Typical)	
External Load Capacitance	uF	1000 - 5000	
Output Ripple and Noise	mVpp	15	
Overcurrent Protection	A	>105A	
Remote On / Off	-	Negative Logic or Positive Logic (See model selector)	
Remote Sense	-	Yes	
Operating Temperature	°C	-40°C to 120°C (see thermal data on website)	
Storage Temperature	°C	-55°C to 125°C	
Safety Agency Certifications	-	IEC/EN/UL/CSA 60950-1, CE Mark	
Weight	g	20	
Size (LxWxH)	mm	28.0 x 35.0 x 10.0	
Warranty	yrs	3	

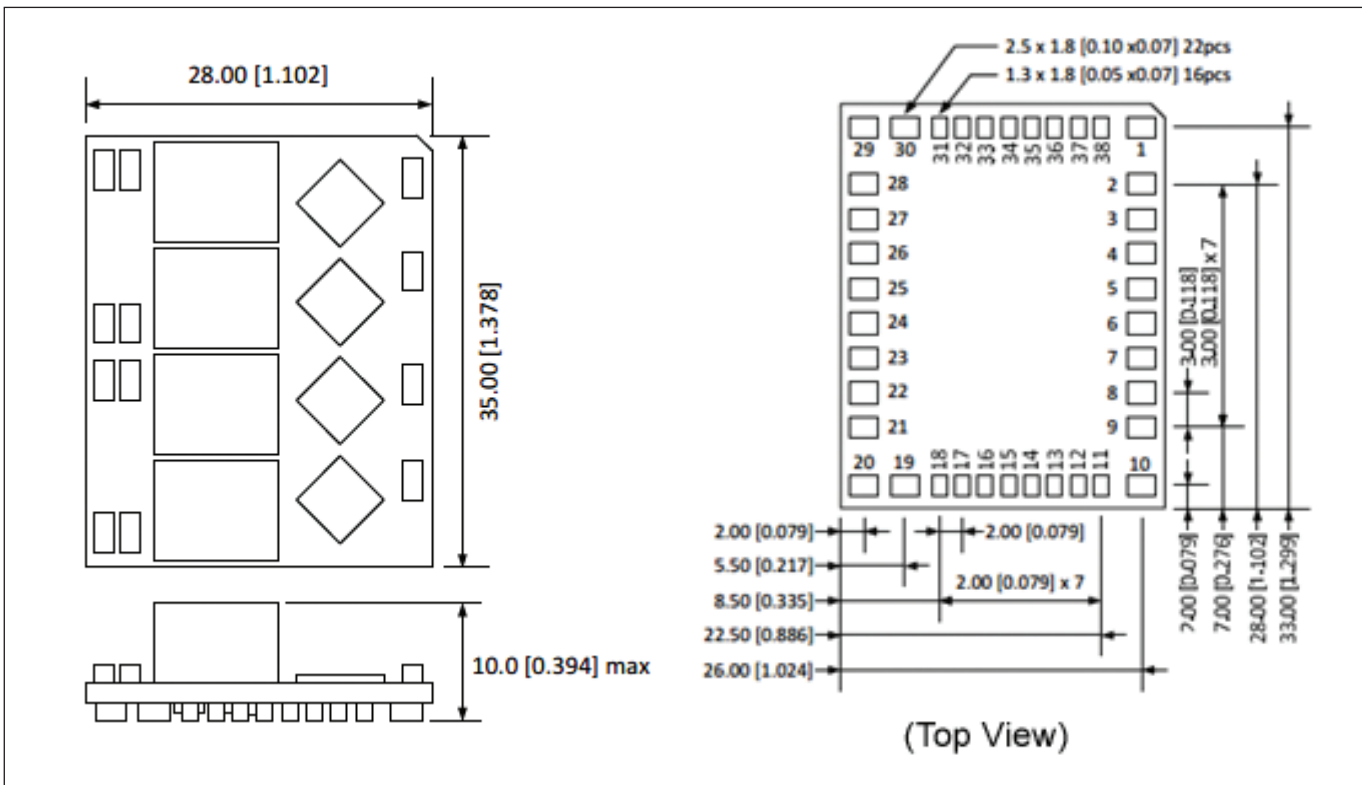
Model Selector				
Model	Input Voltage (V)	Output Current (A)	Output Voltage (V)	Remote On/Off
iJC12100A006V-002-R	8 - 14	100	0.6 - 1.5	Positive
iJC12100A006V-003-R	8 - 14	100	0.6 - 1.5	Negative

PREFERRED MODEL

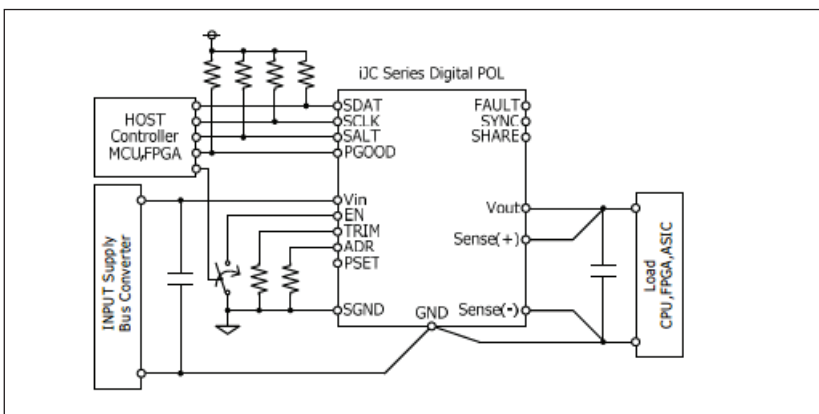
Pinout

PIN	Function	PIN	Function	PIN	Function	PIN	Function
1	Power Ground (0V)	11	Signal Ground (0V)	21	+V Output	31	PMBus Clock
2	Power Ground (0V)	12	Not Connected	22	+V Output	32	PMBus Data
3	+V Input	13	Output Trim	23	+V Output	33	PMBus Alert / Fault
4	+V Input	14	PMBus Address	24	Power Ground (0V)	34	Remote On/Off
5	Power Ground (0V)	15	Not Connected	25	Power Ground (0V)	35	Fault Mgmt
6	Power Ground (0V)	16	Set Parallel Operation (PSET)	26	+V Output	36	Power Good
7	+V Input	17	+ Remote Sense	27	+V Output	37	Current Share
8	+V Input	18	- Remote Sense	28	+V Output	38	Synchronize
9	Power Ground (0V)	19	Power Ground (0V)	29	Power Ground (0V)		
10	Power Ground (0V)	20	Power Ground (0V)	30	Power Ground (0V)		

Outline Drawing iJC Series



Typical Application Circuit iJC Series





TDK-Lambda France SAS

ZAC des Delaches
CS 41077
9 rue Thuillere
91978 Villebon Courtaboeuf
France
Tel: +33 1 60 12 71 65
Fax: +33 1 60 12 71 66
france@tdk-lambda.com
www.fr.tdk-lambda.com



Italy Sales Office

Via dei Lavoratori 128/130
20092 Cinisello Balsamo (MI)
Italy
Tel: +39 02 61 29 38 63
Fax: +39 02 61 29 09 00
info.italia@it.tdk-lambda.com
www.it.tdk-lambda.com



Netherlands

info@nl.tdk-lambda.com
www.nl.tdk-lambda.com



TDK-Lambda Germany GmbH

Karl-Bold-Strasse 40
77855 Achern
Germany
Tel: +49 7841 666 0
Fax: +49 7841 5000
info.germany@de.tdk-lambda.com
www.de.tdk-lambda.com



Austria Sales Office

Aredstrasse 22
2544 Leobersdorf
Austria
Tel: +43 2256 655 84
Fax: +43 2256 645 12
info.germany@de.tdk-lambda.com
www.de.tdk-lambda.com



Switzerland Sales Office

Bahnhofstrasse 50
8305 Dietlikon
Switzerland
Tel: +41 44 850 53 53
Fax: +41 44 850 53 50
info@de.tdk-lambda.com
www.de.tdk-lambda.com



TDK-Lambda UK Ltd.

Kingsley Avenue
Ilfracombe
Devon EX34 8ES
United Kingdom
Tel: +44 (0) 12 71 85 66 66
Fax: +44 (0) 12 71 86 48 94
powersolutions@uk.tdk-lambda.com
www.uk.tdk-lambda.com



TDK-Lambda Ltd.

Kibbutz
Givat Hashlosha 48800
Israel
Tel: +9 723 902 4333
Fax: +9 723 902 4777
info@tdk-lambda.co.il
www.tdk-lambda.co.il



C.I.S.

Commercial Support:

Tel: +7 (495) 665 2627

Technical Support:

Tel: +7 (812) 658 0463

info@tdk-lambda.ru

www.tdk-lambda.ru

Local Distribution

